

Mounting subplates type BA

single, for ISO valves size 06 to 32

BA-* are single subplates with ISO mounting surface for installation of Atos valves and they are provided with threaded ports for connection to pressure, tank and users lines. They are characterized by low pressure drops and they are specific for directional, flow and pressure control valves ISO size 06, 10, 16, 20, 25 and 32;

Special subplates or manifolds for customized applications are available upon request.

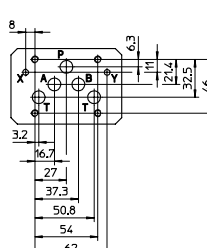
The set of screws for the valve installation on the BA subplate must be ordered separately, see the code SET SC-*** specified in the following sections.

1 TECHNICAL CHARACTERISTICS

Installation position	Any position
Operating pressure	Ports P, T, A, B = 350 bar see the technical table of the valves to be assembled
Ambient temperature	From -20°C to +70°C
Fluid	Hydraulic oil as per DIN 51524...535, for other fluids contact our technical office
Recommended viscosity	15 ÷ 100 mm ² /s - max allowed range: see the technical table of the valves to be assembled
Fluid contamination class	See the technical table of the valves to be assembled
Fluid temperature	See the technical table of the valves to be assembled

3 SINGLE STATION SUBPLATES FOR VALVES SIZE 10

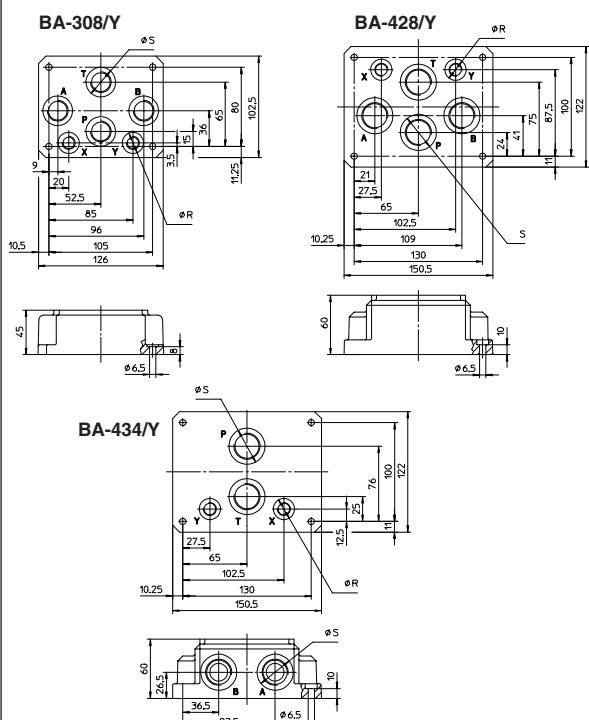
ISO 4401:2005
Mounting surface: 4401-05-05-05



Matching valves

DK-11	SET SC-DK/DP-1
DK-12	SET SC-DK/DP-1
DKE	SET SC-DK/DP-1
DKQ	SET SC-DK/DP-1
DKZOR	SET SC-DK/DP-1
DLKZOR	SET SC-DK/DP-1

Set of screw
(to be ordered separately)



VERSIONS

BA-308: basic version without ports X and Y; ports P, A, B, T (1/2") on the base.

BA-428: basic version without ports X and Y; ports P, A, B, T (3/4") on the base.

BA-434: basic version without ports X and Y; ports P and T (3/4") on the base; ports A and B (3/4") on the side.

BA-*Y:** versions dimensionally analogous to the corresponding basic versions with the addition of X and Y ports (1/4") on the base (see figure on the left).
The /Y versions are always used for valves type DKZOR, DLKZO, when drainage from port Y is required.

X and Y ports are only present in the /Y versions.

Code	Ports (GAS) A,B,P,T (X-Y)	Ø Counterbore S [mm]	R [mm]	Mass [Kg]
BA- 308 (Y)	1/2" (1/4")	30	21,5	2,5
BA- 428 (Y)	3/4" (1/4")	36,5	21,5	5,5
BA- 434 (Y)	3/4" (1/4")	36,5	21,5	8,5